

ROTATECH FH

Pełnowymiarowa furta z napędem ręcznym

Furty **RotaTech FH** zostały zaprojektowane do pomieszczeń o wysokim natężeniu ruchu. Furty są idealnym rozwiązaniem do kontrolowania ruchu osób wewnątrz lub na zewnątrz budynku.

Furty obrotowe **RoteTech FH** pozwalają na dwukierunkowy, kontrolowany dostęp do obszaru chronionego.

Furty dostępne są w wersji z trzema lub czterema skrzydłami oraz w wielu wariantach i wykończeniach.



Dostępne modele:

- ROTATECH FHS 90 - furta pojedyncza, 4-ro ramienna
- ROTATECH FHS 120 - furta pojedyncza, 3-y ramienna
- ROTATECH FHD 90 - furta podwójna, 4-ro ramienna
- ROTATECH FHD 120 - furta podwójna, 3-y ramienna
- ROTATECH FH MANTRAP - furta pojedyncza, 4-ro ramienna MANTRAP

Typowe obszary, w których furty znajdują swoje zastosowanie:

*Zakłady przemysłowe / Budynki rządowe / Instytucje finansowe / Handel / Telekomunikacja / Stadiony
Tereny wojskowe / Petrochemia / Tereny lotnisk i portów / Parkingi*

Alltech Vehicle Barriers & Turnstiles Solutions also feature:

Boom and Spike Barriers | Bollards | Fast Folding Gates |
Road and Rated Wedge Blockers | Half Height Turnstiles |
Tripod Turnstiles | Revolving Doors | Security Booths |
Special Needs Access Gates

FIND OUT MORE ON www.alltechbygunnebo.com

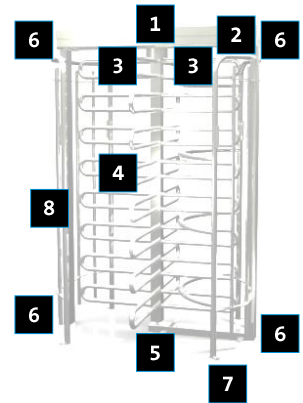
MECHANICAL AND DESIGN OPTIONS

ROTATION MECHANISM	<ul style="list-style-type: none"> ▪ Electronically controlled bi-directional ▪ Mechanically controlled uni-directional via key override ▪ Free rotation
LOCKING	<ul style="list-style-type: none"> ▪ Fail-lock* auto-lock in the event of a power failure ▪ Fail-safe* auto-unlock in the event of a power failure <p><i>* In the event of power failure or fire alarm, the turnstile may be configured to fail-safe i.e. rotor freely rotates or fail-lock i.e. rotor locks. Either option is available in both or one direction. Choice to be specified at time of order placement.</i></p>
FINISHES OPTIONS	<ul style="list-style-type: none"> ▪ Mild steel powder coated to standard RAL 5008 - Charcoal Blue. <i>Other choice of colour available on request Not recommended for corrosive environment applications</i> ▪ Hot dip galvanised mild steel powder coated to RAL 7004 - Signal Grey. <i>Other choice of colour available on request Suitable for corrosive environment applications</i> ▪ Brushed 304 stainless steel. <i>Suitable for corrosive environment applications with adequate cleaning program</i> ▪ Brushed 316 stainless (available on request). <i>For improved durability in corrosive environment applications with adequate cleaning program</i>
ACCESSORIES	<ul style="list-style-type: none"> ▪ Access control reader mounting brackets available in various dimensions (standard H145 x W85 x D40mm) ▪ Single / dual push button (supplied turnstile mounted or non-mounted) ▪ Roof canopy

PRODUCT OVERVIEW

INDEX KEY

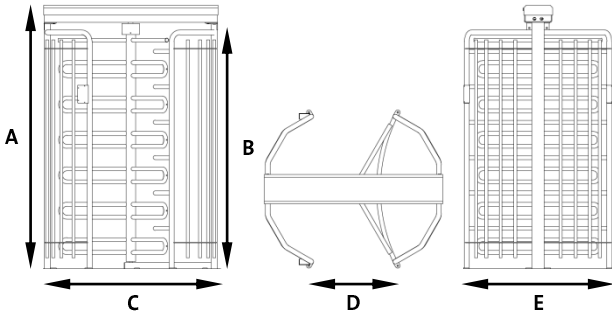
- | | |
|---|--|
| 1 Electro-mechanical head system | 5 Base bearing |
| 2 Top channel lockable lid | 6 Wiring entry points |
| 3 Mechanical key overrides | 7 13 floor and wall bolting points |
| 4 32mm Ø U-shape arms spaced 150mm apart | 8 Access control reader mounting position |



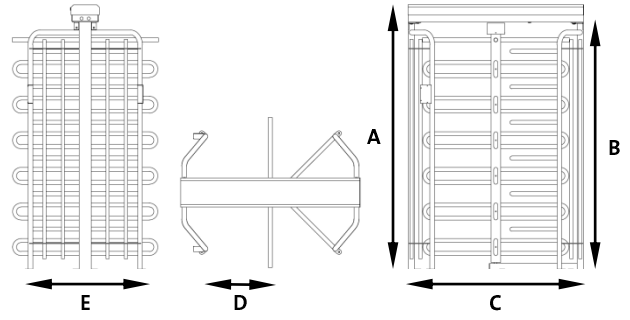
DIMENSIONS & WEIGHTS

	ROTATECH FHS 90	ROTATECH FHS 120	ROTATECH FHD 90	ROTATECH FHD 120	ROTATECH FH MANTRAP
A: OVERALL HEIGHT	2125mm	2125mm	2125mm	2125mm	2130mm
B: HEIGHT CLEARANCE	1985mm	1985mm	1985mm	1985mm	1985mm
C: OVERALL WIDTH	1400mm	1400mm	2150mm	2150mm	1675mm
D: WALKWAY WIDTH	610mm	610mm	610mm	610mm	610mm
E: TOTAL LENGTH	970mm	1180mm	1185mm	1265mm	1170mm
NET WEIGHT	160kg	160kg	250kg	250kg	230kg

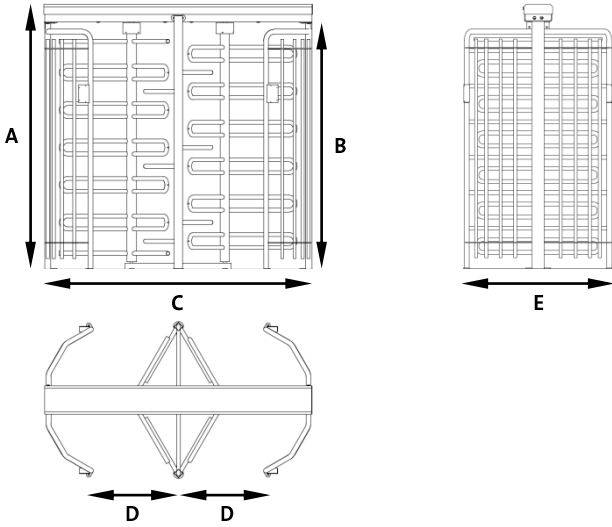
ROTATECH FHS 120



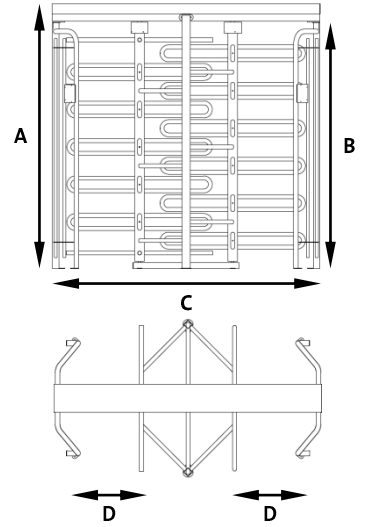
ROTATECH FHS 90



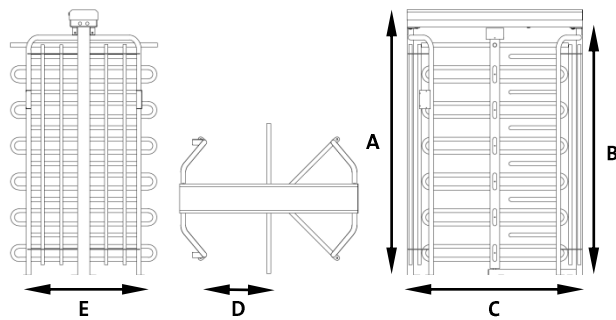
ROTATECH FHD 120



ROTATECH FHD 90



ROTATECH FH MANTRAP





ALLTECH RELIABILITY

Picking the optimum entrance control solution is a process based on close cooperation with our customers – all the way from **needs analysis**, **production**, to **implementation** and **service**

From Analysis to Proposal

- Needs analysis forms the basis of a tailored proposal
- Specified for the overall solution and for individual areas of the site
- Fully compliant with all local regulations

Installation, Testing, Training

- Monitoring and implementing every installation
- Completion programme of functional reliability checks to ensure the equipment is safe
- Documenting each stage of the installation process
- Initiating start-up phase whilst focusing on training of relevant staff

Operation and Maintenance

- Initiating procedures for operation and maintenance
- Offering adequate Maintenance Plans or Service Level Agreements

With Alltech, a brand of the Gunnebo Security Group, a safe and reliable entrance control system is ready for round-the-clock use.

CONTACT GUNNEBO AFRICA FOR MORE INFO

c/o Gunnebo South Africa (Pty) Limited
105 Nagington Road, Wadeville, 1428, South Africa
T +27 (0)11 878 2300 | @ info.alltech@gunnebo.com
Web www.alltechbygunnebo.com